



ELECTRONICS, INC.
 44 FARRAND STREET
 BLOOMFIELD, NJ 07003
 (973) 748-5089
<http://www.nteinc.com>

NTE30047 Infrared Emitting Diode – 5mm (T-1^{3/4})

Features:

- Low Power Consumption
- High Efficiency
- High Intensity
- Lens Type: Water Clear

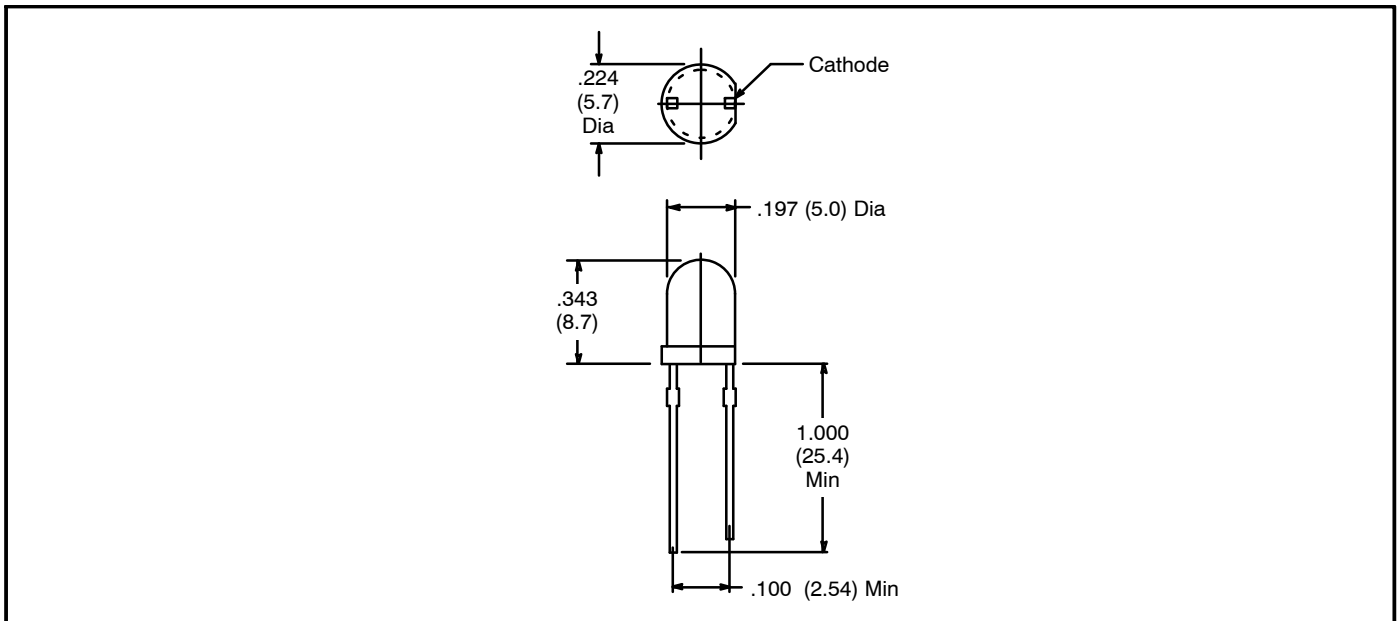
Absolute Maximum Ratings: ($T_A = +25^\circ\text{C}$ unless otherwise specified)

Power Dissipation, P_D	100mW
Forward Current (Note 1), I_{FM}	800mA
Reverse Voltage ($I_R = 10\mu\text{A}$), V_R	9V
Operating Temperature Range, T_{opr}	-30° to $+80^\circ\text{C}$
Storage Temperature Range, T_{stg}	-40° to $+100^\circ\text{C}$
Lead Temperature (During Soldering, .157" (4mm) from case bottom, 5sec max), T_L	$+260^\circ\text{C}$

Note 1. Duty = 0.01ms, 1kHz

Electrical Characteristics: ($T_A = +25^\circ\text{C}$ unless otherwise specified)

Parameter	Symbol	Test Conditions	Min	Typ	Max	Unit
Viewing Angle	$2\theta_{1/2}$	$I_F = 20\text{mA}$	-	40	-	degree
Forward Voltage	V_F	$I_F = 50\text{mA}$	-	1.3	1.6	V
Reverse Current	I_R	$V_R = 5\text{V}$	-	-	10	μA
Radiant Intensity	E_e	$I_F = 20\text{mA}$	7	10	-	mw/sr
		$I_F = 300\text{mA}$	95	140	-	mw/sr
Peak Emission Wavelength	λ_p	$I_F = 20\text{mA}$	-	940	-	nm
Spectrum Line Half-Width	$\Delta\lambda$	$I_F = 20\text{mA}$	45	50	55	nm



Rev. 3-20

