

# RLY9204

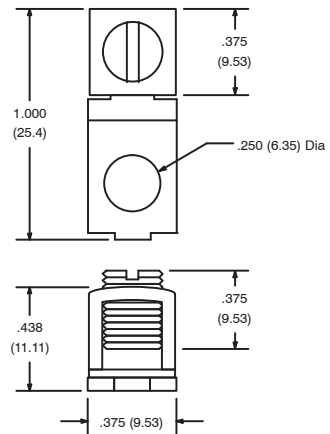
## Box Lug for Contactors

### Features:

- For RLY400 Series

### Electrical Rating:

Maximum Wire Size ..... #14 AWG

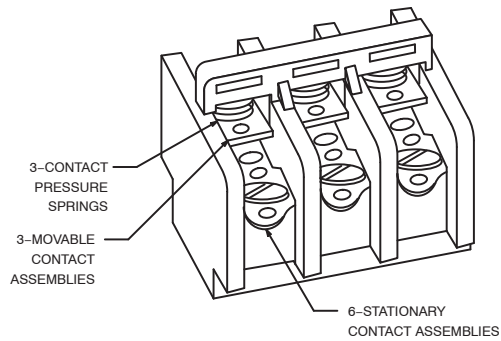


# RLY9205

## Replacement Contacts for Contactors

### Features:

- For RLY400 Series



# RLY9206

## 1 Auxiliary Switch for Contactor Applications

### Features:

- For RLY400 Series

### Electrical Rating:

Contacts ..... SPDT  
Maximum Current ..... 10A @ 250 VAC

